

TAMP-R-SAF® Line of Containers

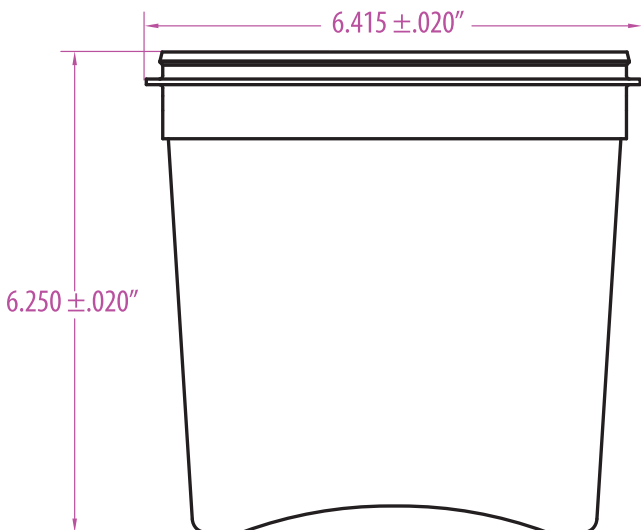
Uses Lid Models:



LPF 603 R (Flat)



LPF 603 KP (Flat / Tight Fit)



LT 60383 T/S
83 oz. Model

84 FL. OZ. w/ LPF 603 R

6-3/16" WIDE w/ LID

6-5/16" HIGH w/ LID

WHITE; NATURAL

150 PER CASE

31 LBS. CASE WEIGHT



= HIGH DENSITY POLYETHYLENE