

TAMP-R-SAF® Line of Containers

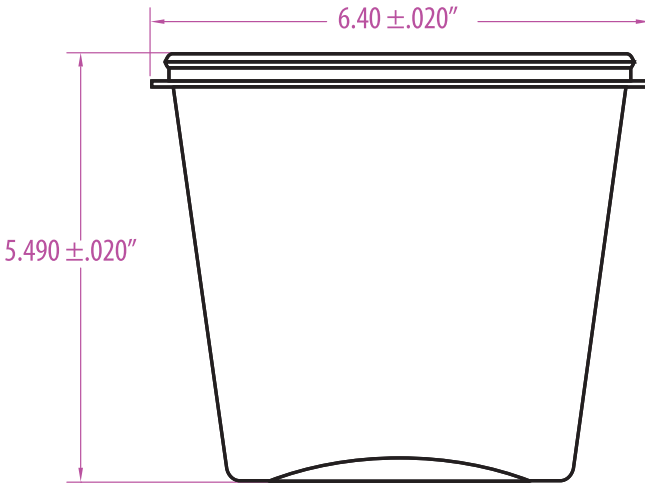
Uses Lid Models:



LPF 603 R (Flat)



LPF 603 KP (Flat / Tight Fit)



LS 60364 T/S
64 oz. Model

64 FL. OZ. w/ LPF 603 R

6-3/16" WIDE w/ LID

5-5/8" HIGH w/ LID

WHITE; NATURAL

200 PER CASE

30 LBS. CASE WEIGHT



= HIGH DENSITY POLYETHYLENE

HDPE