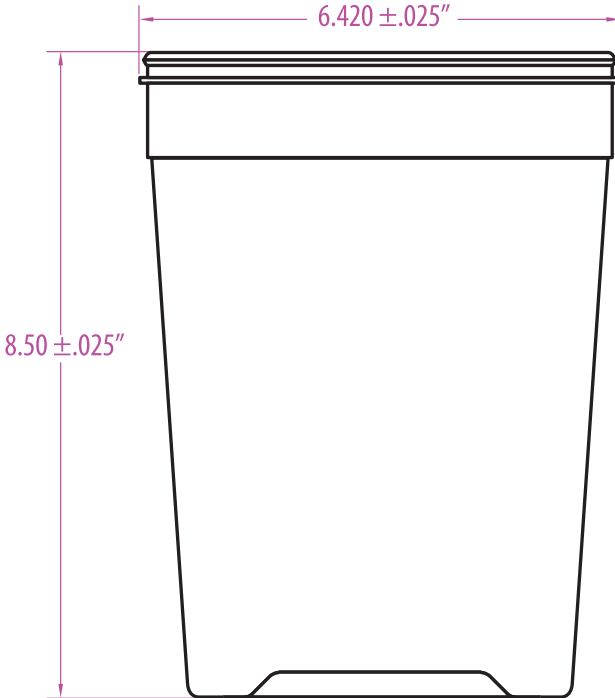


Special Use Containers

Uses Lid Model:



LPF 604 (Flat)



ETI 604110 **110 oz. Model**

110.25 FL. OZ. w/ LPF 604

6-1/4" WIDE w/ LID

8-1/2" HIGH w/ LID

WHITE

1,470 PER PALLET (Palletized)

362 LBS. PALLET WEIGHT (Palletized)



POLYPROPYLENE

PP