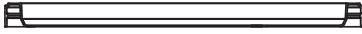


DELI LINE of Containers

Uses Lid Models:



LPF 410 (Flat)



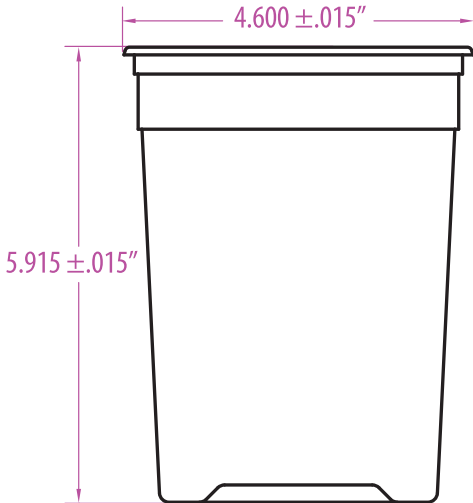
LPR 410-S (Recessed)



LPR 410 TE (Tamper Evident)



PPF 410 (Flat)



ETI 41036
36 oz. Model

36 FL. OZ. w/ LPF 410

4-5/8" WIDE w/ LID

6" HIGH w/ LID

WHITE

380 PER CASE

34 LBS. CASE WEIGHT



POLYPROPYLENE