

## DELI LINE of Containers

Uses Lid Models:



**LPF 410 (Flat)**



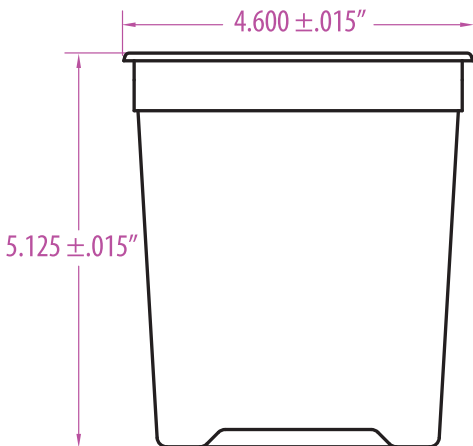
**LPR 410-S (Recessed)**



**LPR 410 TE (Tamper Evident)**



**PPF 410 (Flat)**



**ET 41032**  
**32 oz. Model**

33 FL. OZ. w/ LPF 410

4-5/8" WIDE w/ LID

5-1/4" HIGH w/ LID

**CLEAR; WHITE**

400 PER CASE

34 LBS. CASE WEIGHT



POLYPROPYLENE